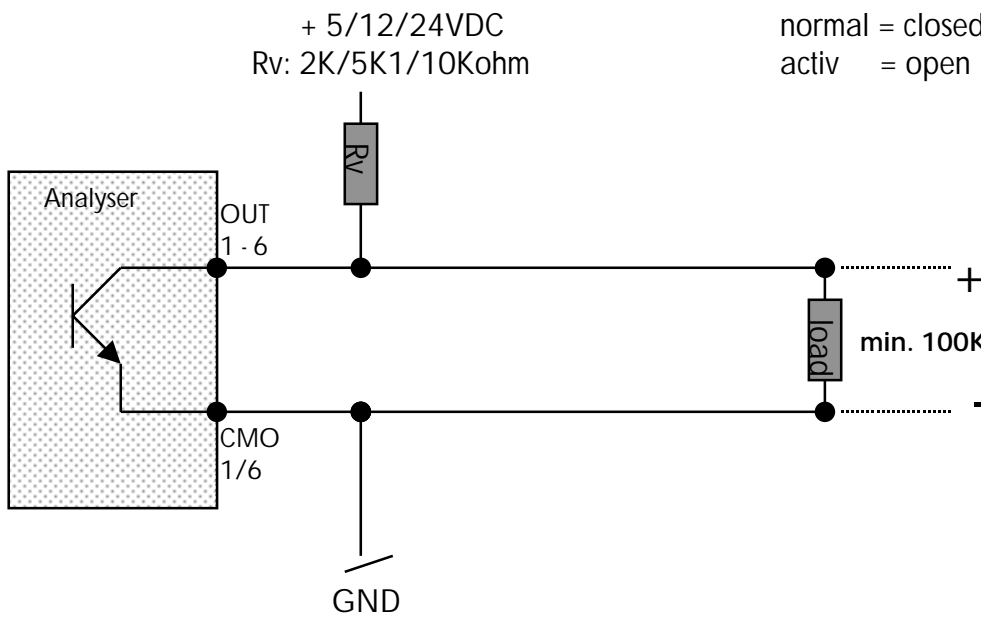
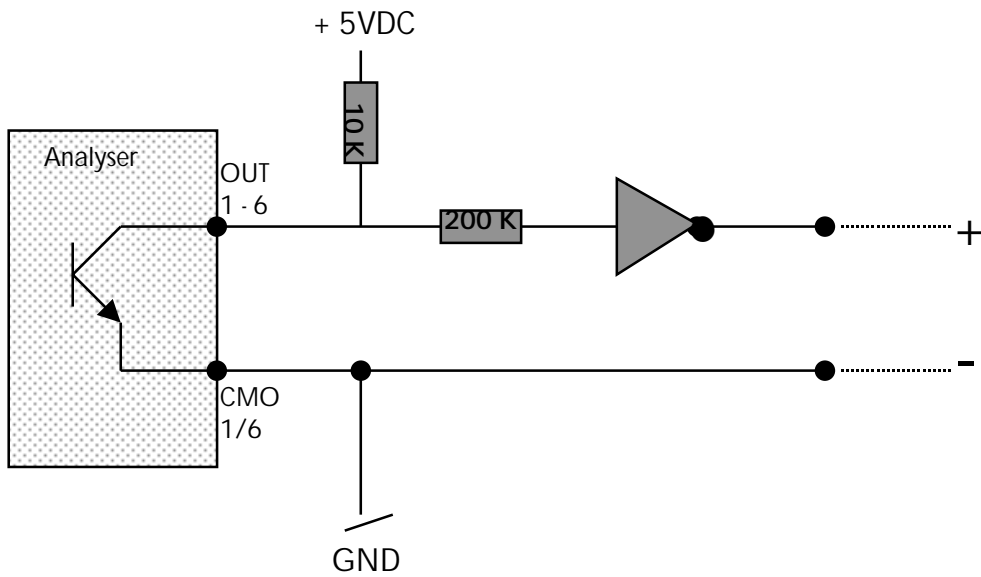


# Service Info No: 7.1

Subject: Data I/O D-sub female 25pin  
OUT connection circuits



normal = closed = 0 = <0.4V  
activ = open = 1 = >2.4V